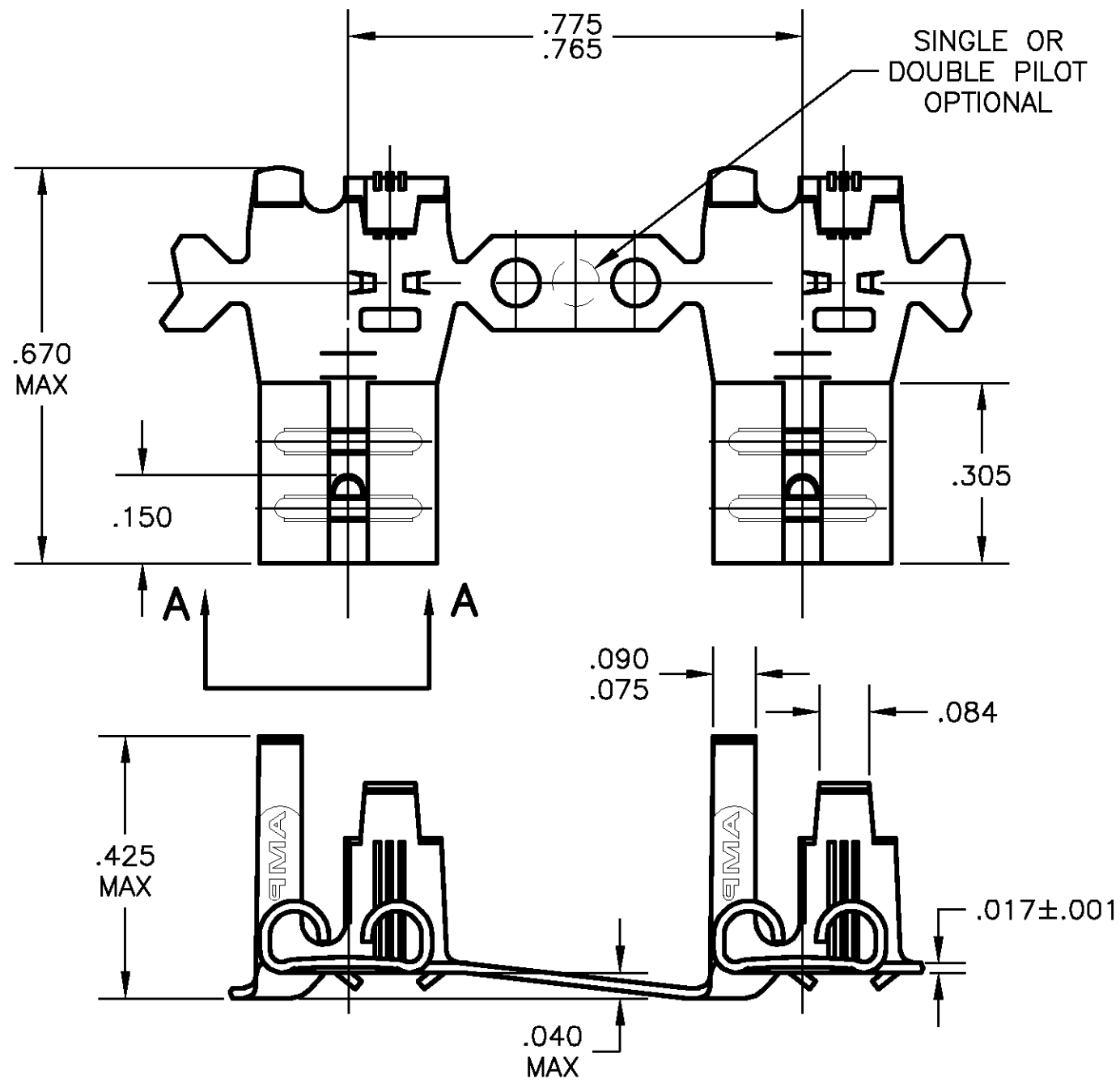
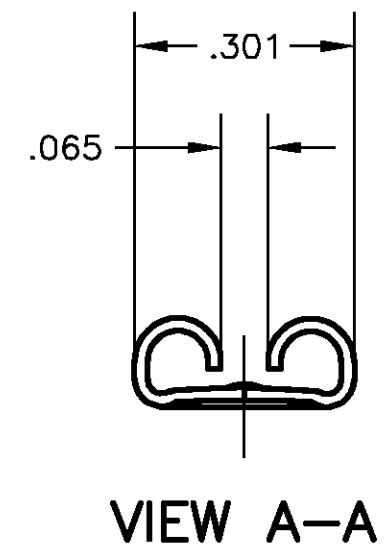


THIS DRAWING IS UNPUBLISHED. RELEASED FOR PUBLICATION
 © COPYRIGHT BY TYCO ELECTRONICS CORPORATION. ALL RIGHTS RESERVED.

LOC	DIST	REVISIONS			
P	LTR	DESCRIPTION	DATE	DWN	APVD
AF	50				
	Z	REDRAWN PER 0G3A-0637-02	18OCT02	JR	PD



- 1 CONTINUOUS STRIP ON REELS
- 2 MATING TAB THK IS .032±.001.
- 3 WIRE SIZE IS #18-#12 AWG
- 4 INSULATION RANGE IS .110-.210 DIA.



NICKEL	#2H STEEL	41531-1
-	4M BRASS	41531
FINISH	MATERIAL	PART NO.

THIS DRAWING IS A CONTROLLED DOCUMENT.		DWN	JR RUTH	18OCT02	Tyco Electronics Corporation Harrisburg, PA 17105
DIMENSIONS: INCHES		CHK	P DESANTIS	18OCT02	
		APVD	P DESANTIS	18OCT02	
MATERIAL: SEE TABLE		PRODUCT SPEC	-		
TOLERANCES UNLESS OTHERWISE SPECIFIED:		APPLICATION SPEC	-		NAME RECEPTACLE, FLAG, FASTON, .250 SERIES
0 PLC ± - 1 PLC ± - 2 PLC ± - 3 PLC ± .015 4 PLC ± - ANGLES ± -		WEIGHT	-		
FINISH: SEE TABLE		CUSTOMER DRAWING	SCALE	4:1	RESTRICTED TO
		SIZE	A3	CAGE CODE	00779
		DRAWING NO	41531		REV
		SHEET	1	OF	1
		REV	Z		